

# Sensor Tap - Hospital Spout 32cm



The more stars the more water efficient

**WATER RATING**  
[www.waterrating.gov.au](http://www.waterrating.gov.au)

**4.5** litres per minute

In accordance with AS/NZS 6400

**Licence No. 1718**  
Mitchell Engineering Food  
Equipment Pty Ltd



# CAT 6791032

## Hospital Spout 32cm - Chrome Plated

### Deck Mounted

#### Features

Up to 70% water saved  
Hygienic with zero cross contamination  
Touch free and accessible activation  
"Plug and play" digital infrared sensor technology  
Sensing range automatically adjusts to your environment  
Easy installation and supplied with everything required, replaces existing ½" connections  
No electrical wiring required, 4 x AA batteries or 240V transformer

#### Includes

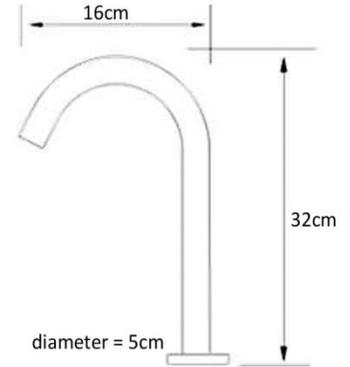
Hospital spout with fitted sensor  
Solenoid box (fitted solenoid valve and battery housing, batteries not supplied)  
Optional 240V transformer  
Braided hose  
Instruction manual

#### Specifications

Deck Mounted  
Chrome Plated  
Standard ½" Connection  
10cm Pre-set Sensing Range  
Water Pressure: 0.07-0.7Mpa

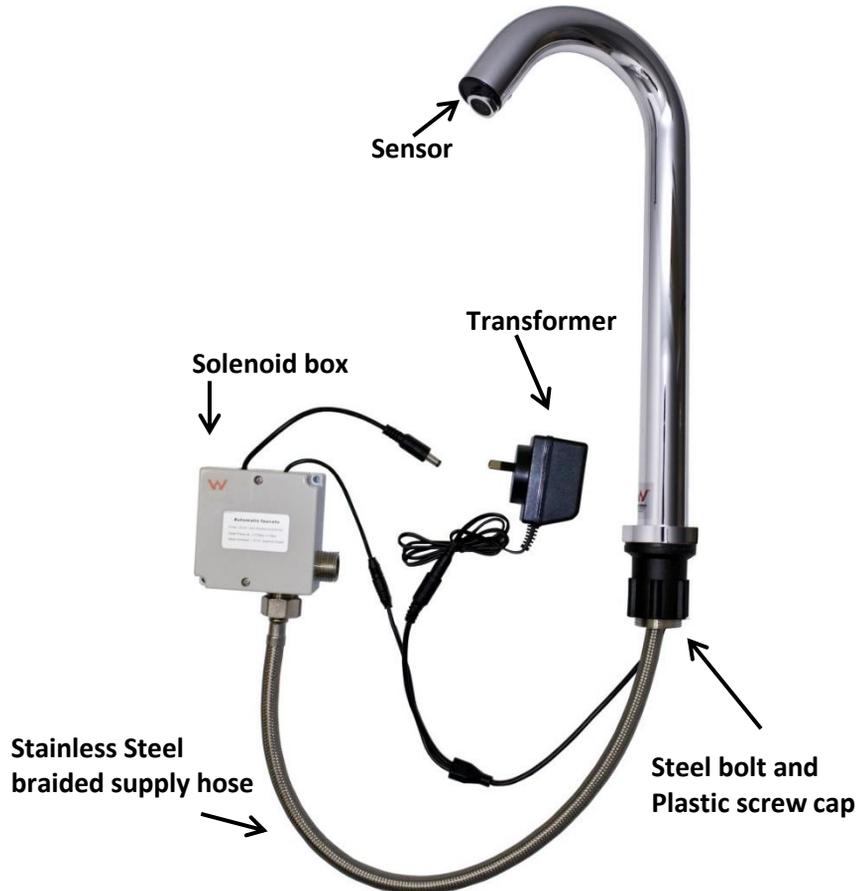
#### Available Finishes

-  CAT 6791032 – Chrome Plated
-  CAT 6791032B – Matte Black
-  CAT 6791032G – Gold



#### Dimensions

Hospital Spout - 32cm high  
Tap: 32 x 16 x 5cm, 0.6kg  
Boxed: 42 x 22 x 10cm, 1.5kg



MEFE Sensor Taps are WaterMark certified and have been awarded 6 Stars, the highest WELS water efficiency rating. This signifies that our taps are eco-friendly and of the highest quality being AUS and NZ certified. Our range is DDA compliant when installed in accordance with AS 1428.1 2009.