

MEFE
MITCHELL ENGINEERING
FOOD EQUIPMENT PTY LTD

Operating Manual

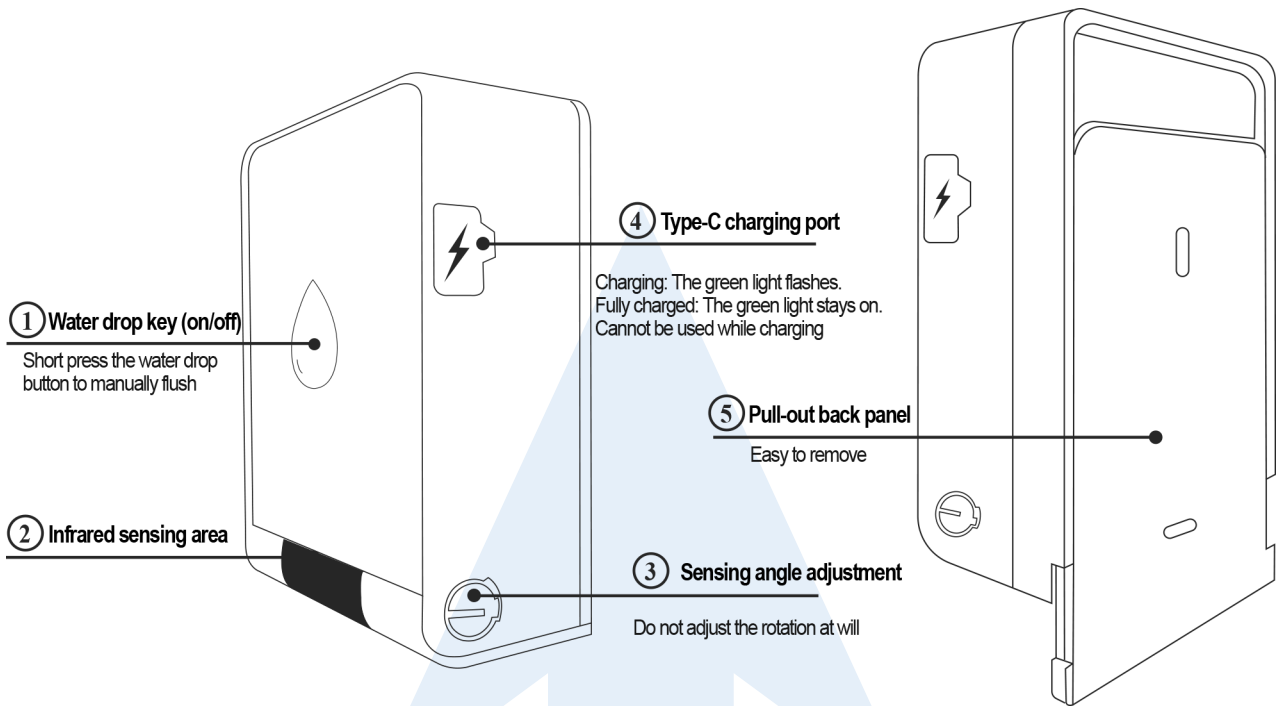


Auto Toilet Flush **For top button type cisterns**

CAT 67TB2

Revision 1

Sensor Appearance and Instruction:




Specifications:


Model/Product name	CAT 67TB2—auto toilet flush
Power	Rechargeable encased batteries
Flush Method	Auto-induction, Two-stage flush (half/full water volume)
Sensing Distance	0—110cm
Sensor	No Flush: 0-14 seconds Half Flush Timer: 15-90 secs Full Flush Timer: >90 secs <i>Sensing time and flush volume cannot be adjusted</i>
Applicable toilet tank style	Central pressing type toilet flush button (oval or round appearance with a diameter of 33 - 55mm) located in the centre of the tank.

Information:

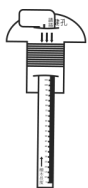
1. This electronic dual-flush toilet conversion system fits most top button flushing toilets.
2. The Sensor has the function of self-learning.
3. Upon powering up the Sensor will automatically detect the distance in 1 min, the Sensor presence detection LED will flash, please keep any obstacles or mirrored surfaces out of the detection beam during detecting to prevent incorrect sensing distance and random flush.
4. The Sensor must not be obstructed by any reflectors, such as mirrors, glossy bright objects etc. as they can cause the distance to reduce to 30cm.
5. Please keep the detection window clean, any dirt, smudges or water drops will affect the sensitivity.
6. Anytime you power off the device, or adjust the sensing direction, you must also allow the device to relearn the environment, this is achieved by allowing the device to power up, with nothing obstructing the sensing window as per step 3.

 **Power On** → Long Press Water Drop Key → Machine power on (light SOLID) → Keep hands away from sensor (Sensor Learning) → After 1-2 minutes, light will turn off, sensing distance is set.

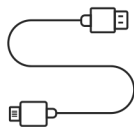
To reset, power off as per below and following power on steps again.

 **Power Off** → Long Press Water Drop Key → Machine power off (light off) → Shutdown successful

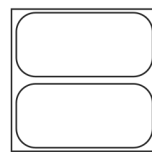
Various Parts:



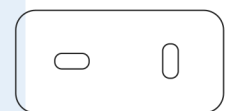
Depth Gauge



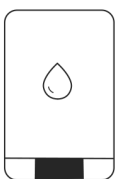
Type-C Cable



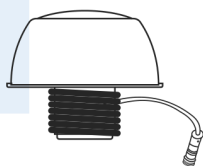
Transparent Sticker



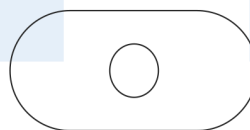
3M Sticker



Host



Flush Motor

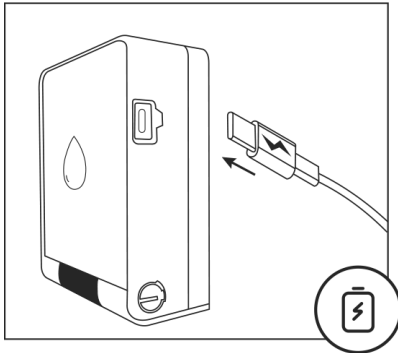


Decorative Piece

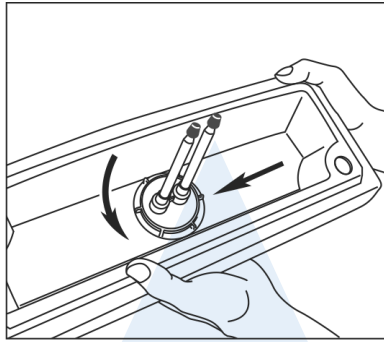


Extension

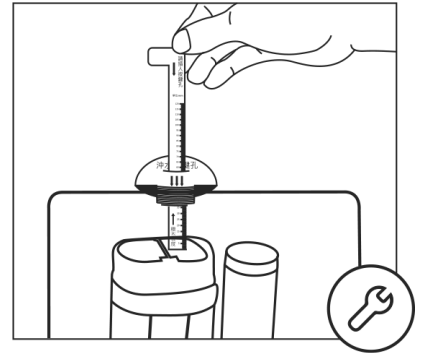
Installation Instructions:



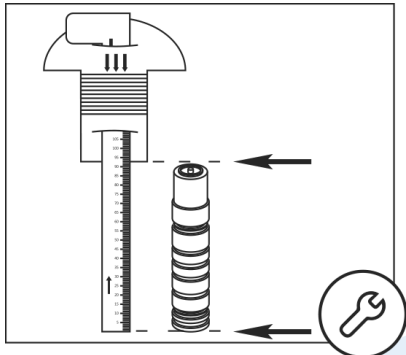
Please fully charge the Host before installation. Light flashes during charging, solid when fully charged.



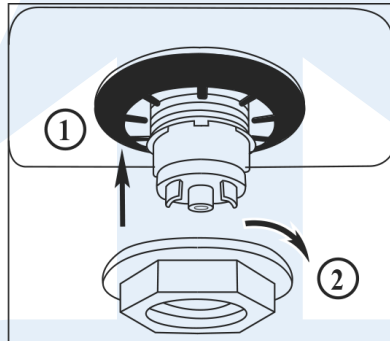
Remove the toilet lid, take out the flush button and close the toilet lid.



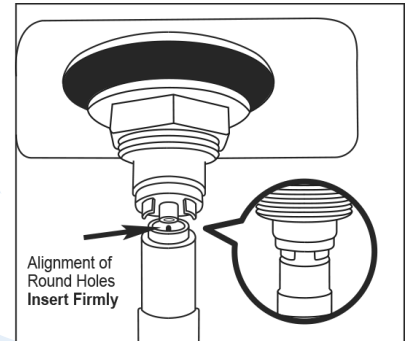
Use the accessories depth gauge to measure the distance between the toilet tank cover and the top of the flush valve.



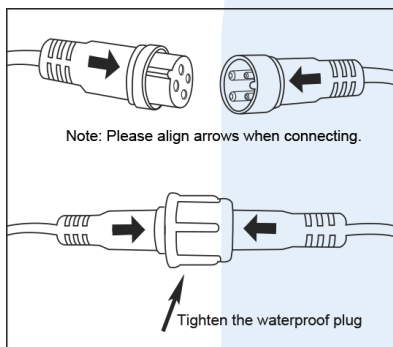
Assemble the extension base to be as long as the measuring ruler.



Remove parts 2 and 1 from flush motor, insert flush motor through toilet lid, and replace parts 1 and 2.



Plug in the extension bottom to flush valve, then install the extension base on the flush motor, as shown.



Connect the Flush Motor to the Host, tighten the waterproof plug and close the toilet lid.

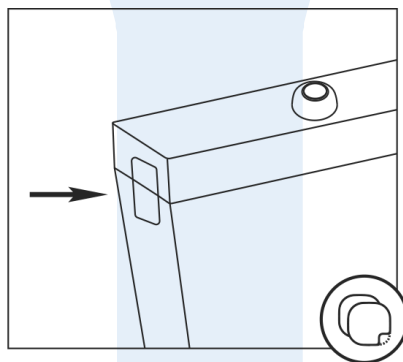
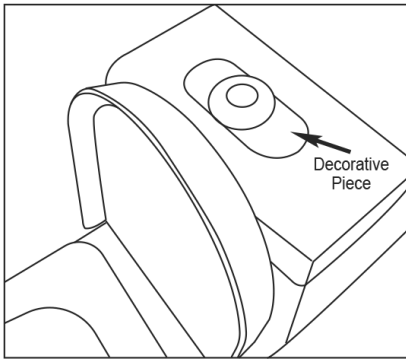
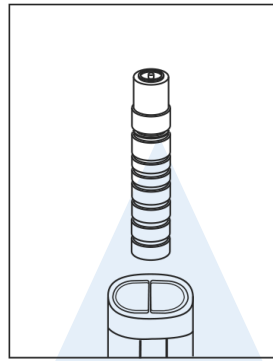


Plate the transparent stickers on both sides of the toilet seat to ensure no lifting occurs when flushing.

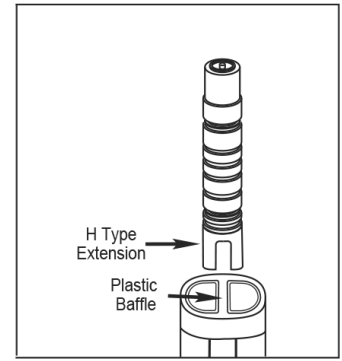
Installation Instructions Continued:



If there is a gap when installing the flush motor, you can use the decorative piece to cover it.



*applicable to buttons without brackets in the middle.



*H-Type Extension is suitable for toilets with a stopper in the middle of the button

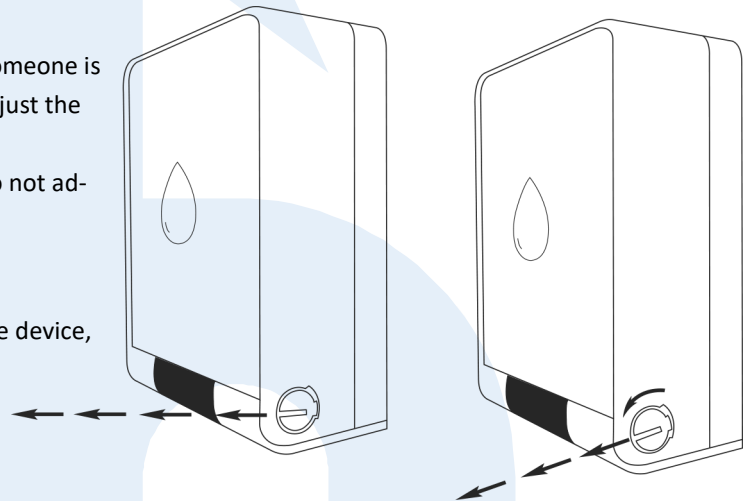
Sensing Adjustment:

If the sensor cannot detect / does not start flashing after someone is sitting down, or there is no flush after they leave, please adjust the sensing angle.

Slightly adjust the knob counter clockwise by 1-2mm (try to not adjust the angle arbitrarily)

The lower the angle, the shorter the distance.

After re-adjusting the angle, it is advised to power down the device, and allow the sensor to relearn the environment.



Trouble Shooting:

Issue	Possible Cause	Solution
Not sensing or need to be very close	Sensing window surface with stains or water droplets	Gently wipe the sensor window to avoid scratching, so as not to affect the sensing window
	There is an obstacle in front of the sensor when it is automatically set for the first time.	Power off device, and power back on to relearn environment