

MEFE
MITCHELL ENGINEERING
FOOD EQUIPMENT PTY LTD

User Manual



Automatic Infrared Liquid Soap Dispenser

Stainless Steel

CAT 68D

Revision 2

Thank you for purchasing this Automatic Stainless Steel Soap Dispenser. Made of 304 Stainless Steel, it is strong and durable. Controlled by CPU, it has great anti-interference ability. Requires 4 x AA Batteries, and operates on low power, ensuring long operation. Using the infrared sensor, it dispenses soap automatically, avoiding physical contact and preventing cross contamination / infection.

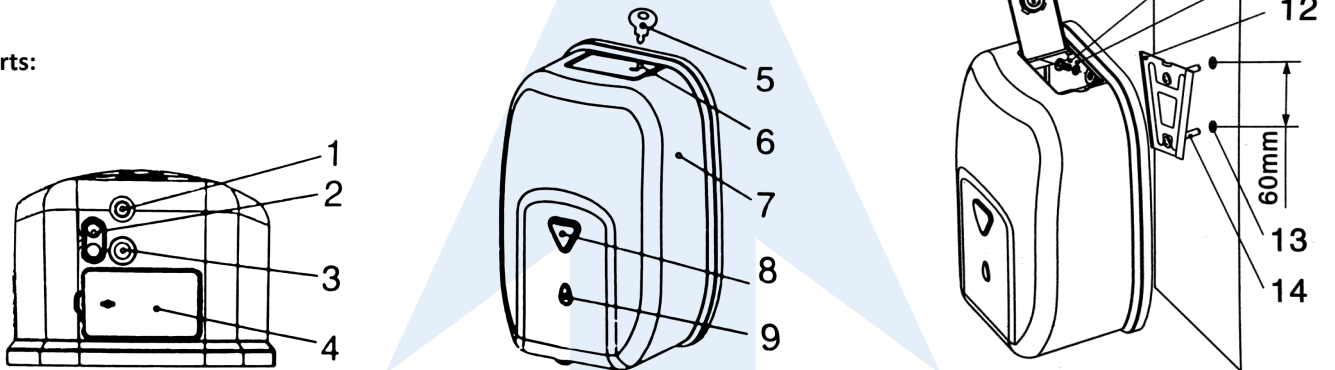
Features:

Stainless Steel body, strong and durable.

One drop per activation, with constant volume.

Locks on both the upper door and lower door, preventing tampering and theft.

Parts:



1. Outlet	2. Sensor	3. Button	4. Lower Door	5. Key	6. Upper Door	7. Body
8. Sight Glass	9. Indicator	10. M4 x 8 Screw	11. Rubber Ring	12. Hanging Board	13. Plugs	14. ST4 x 20 Screw

Installation:

Unlock the upper door (6) using the Key (5) included as shown above

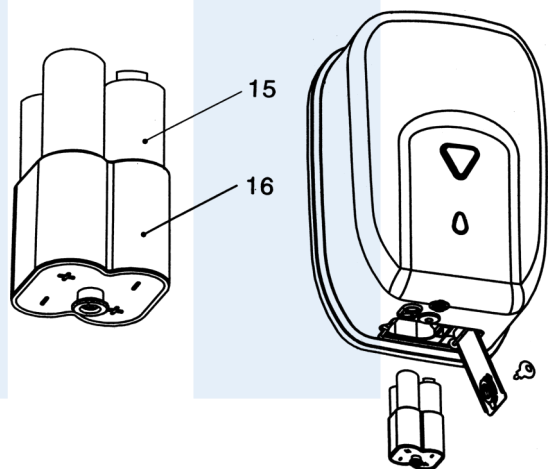
Drill 2 holes — 6mm diameter — as shown above and fix the hanging board (12) on the wall with the plugs (13) and ST4 x 20 screws (14) included.

Hang the dispenser on the board, and fix it with the M4 x 8 screws (10) included.

Battery Install

Unlock and open the lower door (4) using the Key (5), pinch the button of batter cover, and bring out the battery box (16) as shown right.

Install 4 x AA (LR6) batteries into the box, ensuring you pay attention to the polarity of the batteries, put the battery box back and close the lower door.



15. Battery 16. Battery Box

Soap Refill

Unlock and open the upper door (6) refill the body (7), and close the door.

Application

After installing the batteries, the indicator (9) will flash. Press the button (3), the indicator will be off, and the dispenser will be on “stand by”. The dispenser will be powered off, when you press and hold the button for more than 2 seconds.

For the first time in use, make it dispense several times to exhaust the air in the pump.

When you need soap, place hands 0—8mm under the soap outlet, the dispenser will dispense automatically. It dispenses 1ml of soap each activation.

When the batteries are low, the indicator will flash; when the dispenser stops working, replace batteries.

Specifications

Voltage: 4 x 1.5V LR6

Capacity: 1200ml

Induction Range: Approx. 8cm

Drop Volume: 1ml per activation

Notes

For avoiding improper operation, leave at least 40cm of space under the dispenser.

DO NOT install the dispenser in places that have strong direct sunlight or above objects with high reflection.

Prevent anything blocking the soap outlet.

Keep the soap clean without any impurities.

DO NOT splash the dispenser directly.

DO NOT use any kind of thinner or chemical liquid which may damage the surface when cleaning the dispenser.

Package

One Soap Dispenser

One copy of User Manual

One pack of 2pcs of screws, 2 pcs of plugs and 1 pc of key.