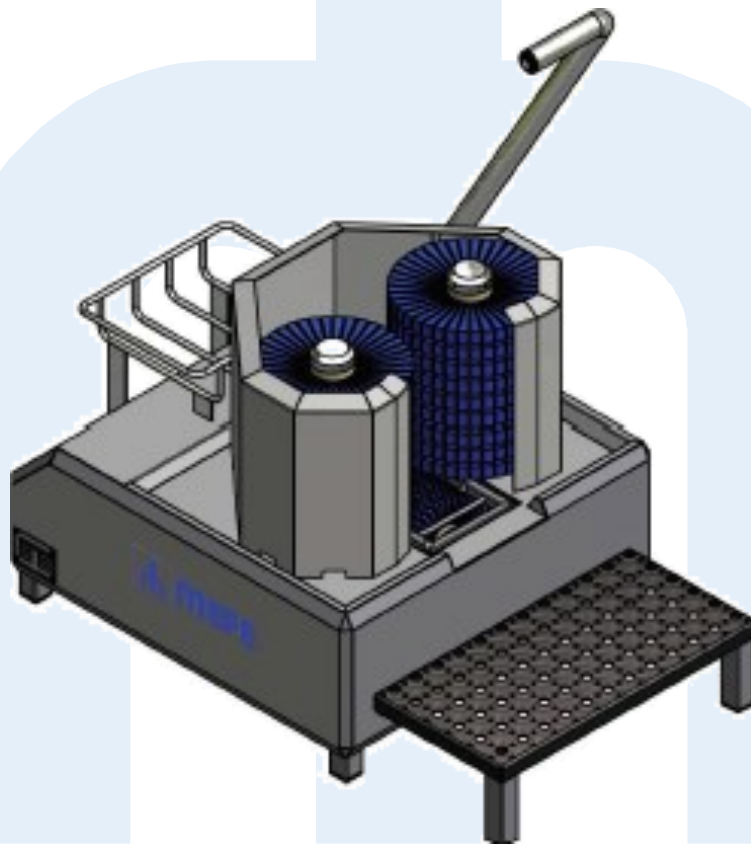




# Operating Manual

## Boots Washer CAT 74401

REV 3



# 1 Name and address of producer

Mitchell Engineering Food Equipment Pty Ltd.

23 Storie St  
Clontarf QLD 4019  
info@mefe.com.au  
07 3283 4536

## 2 Nameplate

Each device has the name plate, which is engraved on a visible part of the body. The device is equipped with name table up to its launch into the market.

Type of information	Information content
Manufacturer address	23 Storie St Clontarf QLD 4019
Country of origin	Australia
Compatibility standards	CE Marking
Device type	CAT 74401
Year of production	2023

### **3. General description of the machine.**

Shoe washer is used in food/meat industry facilities as an element of sanitary sluice. It is designed for washing soles and shanks of rubber footwear (especially galoshes).

The main element of the washer is its body made of stainless steel with 3 brushes.

There is a shaped tube as a handrail welded to the side wall of the body where switch is mounted. The body is supported on four adjustable feet. The working elements of shoe washer are 2 vertical nylon brushes washing shanks and one horizontal brush washing sole of the boot. Each brush is driven by a separate gear motor. Water system of washer is made of commercial linking elements, connected by flexible tubes, its basic elements are: water connection, electromagnetic valve, spraying tube. Water is supplied to the washer cleaning area by spraying tube (water sprayed on the brush). Electromagnetic valve controls the water supply during cleaning process. Water worn out in washing process is drained to the sewer. Washer is equipped with electrical wiring, built-up inside the body. The device consists of the following components:

- Stainless steel construction
- 3 motors, 3 brushes
- Injector
- Electromagnetic Valve
- Arm with activating button
- Stair and shelf for detergent

### **4. Technical data:**

- power supply: 3x400V/50Hz
- ½" water supply
- drain to sewer: 50mm
- IP65 protection
- dimensions: L:1105/800mm, W:810mm, H: 1108mm
- weight - 70 kg

## **5. Device placement.**

The machine does not require special foundations. It should be set directly on the floor. The machine should be levelled. Levelling of the machine is done by means of adjustable feet M12, located underneath the washer housing.

## **6 Setup and adjustments before first start-up**

Washer should be installed in place according to the separate technological plan Installation of the washer consists of its connection to:

- water system, using elastic hose, diameter of connection ½"
- drain to sewage (need to guarantee tightness)
- electrical installation of 3x400V/50Hz - socket secured by a residual-current switch

Electrical connection should ensure the correct direction of brushes rotations – horizontal brushes should rotate inward

## **7.Beginning of work.**

To clean BOOTS, user must place one shoe between side brushes and above bottom single brush, in washing area. The main working parts - brushes driven by a gear motors are activated by pressing switch located on the arm on the right hand side of the device. It also allows a water supply to the spraying nozzles. There is also a basket/shelf fixed to the top surface of housing. It is made of rods and allows to place in it a container with detergent. A plastic suction tube need to be immersed in container with liquid detergent - it feeds sole washing system. Water mixed with disinfectant is sprinkled on the bottom brush, it supports cleaning process and facilitates removal of contaminations. Start of the process is initiated by pressing the button on the arm. Time of washing depends on button pressing time. Release of the button causes stop of the process.

## **8 End of work**

Actions after end of work:

- remove the plug from the mains
- clean the washer and the space around it. Washer should be cleaned with commercially available cleaning agents for stainless steel.

## **9 Recommendations on the means and methods for cleaning and disinfection of unit**

- depending on the water quality, condition of strainer, valve and nozzles have to be checked regularly but not less frequently than every 1000 hours
- check the condition of the electric cable regularly but not less frequently than every 1000 hours
- check the condition and quality of the oil in the worm gear but not less frequently than once every 2000 hours and, if necessary, replace it.
- check the condition and quality of installed sealing elements, not less frequently than once every 1000 hours and replace them if necessary.

Repairs and maintenance must be performed only by trained and authorized personnel.

### **Inspection should include:**

- assessment of the condition and if necessary, lubrication of motor bearings
- check the oil level in the gearbox of gearmotor
- check the working of electromagnetic valve (if necessary, disassemble the head of valve and remove accumulated sediments)
- in case of high hardness or high content of iron in water, the valve inspection should be performed every 500h.
- worn brushes replaced when needed.

Shoe washer is not complicated device and does not require special precautions. However, observe please the following remarks:

- ◆ washer should stand on flat and levelled ground
- ◆ washer must be set in the room, where completed all renovation work such as grinding, cutting regular steel. Swarf generated, during these processes, settles on surface of stainless steel and causes the "rust".

**WARNING! In case of not meeting this condition, immediate loss of warranty occurs**

- ◆ do not use the washer with any failure
- ◆ device should be maintained in perfect working order
- ◆ any repairs can perform only authorized personnel, with required permission
- ◆ the washer must be connected to the mains with the requirements of electric shock protection
- ◆ It is forbidden to carry out any work on the washer before turning it off from mains
- ◆ there should be a proper lighting in the room where washer works, in accordance with the requirements
- ◆ power cable with diameter 5x2,5mm (Cu) and length 3m, ended with plug 5b 32A is an element of machine.
- ◆ in case of any fault, the washer must be disconnected from mains and off from work. Restarting may take place only after removal of defects and check the device by maintenance workers.

## **10 Warranty.**

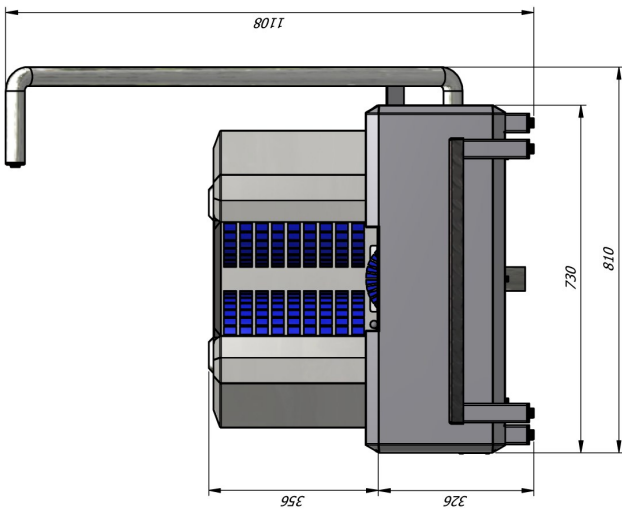
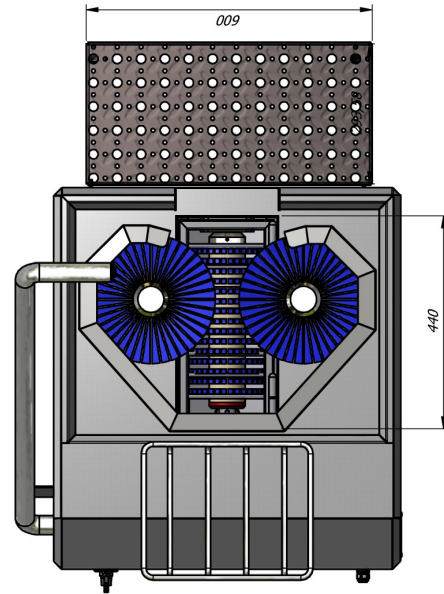
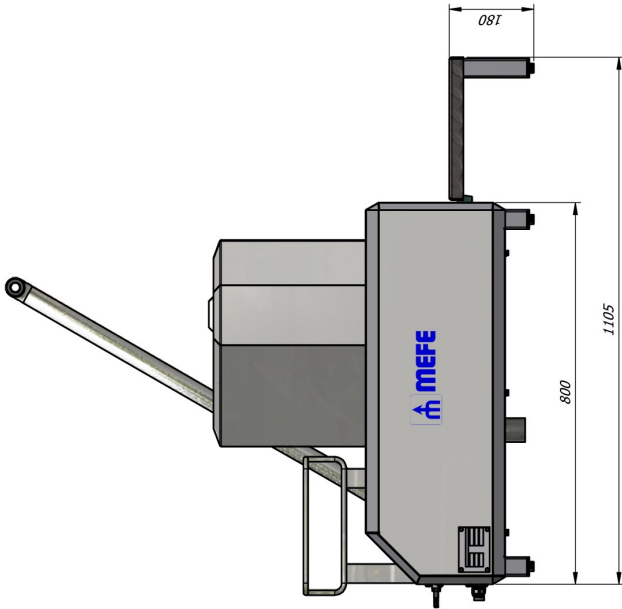
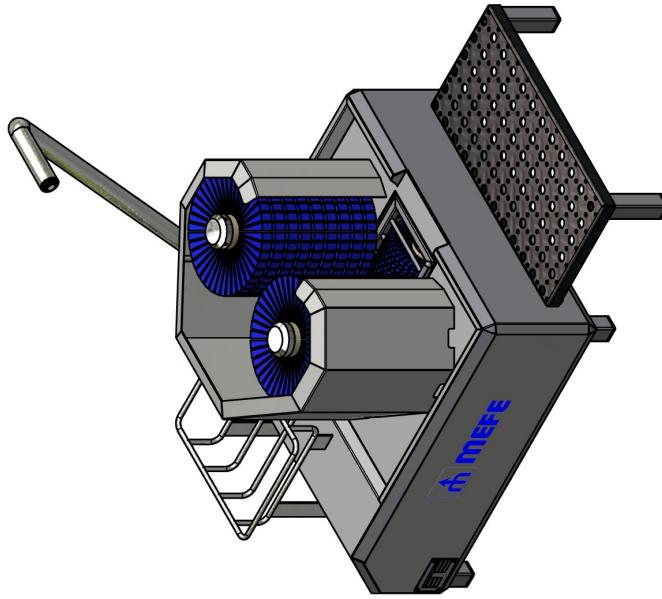
1. The warranty covers a period of twelve (12) months from date of delivery to the final user.
2. Spare parts supplied during the warranty period are not covered by a separate warranty, but included in the original warranty
3. Aprerequisite for the use of the guarantee is to use original parts recommended by the manufacturer, and do not make any modifications.
4. The warranty does not cover damage caused by deficient maintenance, installation.
5. The guarantor is not responsible for any damage caused by power supply other

than 400V + -5% or 10% (for one phase), inadequate frequency (other than 50Hz).

6. The manufacturer must undertake to agree within 14 days (from the date of notification by the user of the product for repair), how and when to repair, as well as free repair or parts replacement within the shortest realistic term (if the part was damaged due to defects in material or performance errors)
7. The manufacturer is liable only if the product is used in conformity with the user manual and revealed the defect arises from causes inherent in the goods sold.
8. Warranty does not cover damage caused by transportation and also in the case of:
  - ◆ Improper operation
  - ◆ Improper storage and maintenance
  - ◆ Repairs carried out by unauthorized persons or establishments

## **11. Spare parts list. - 74401 ( part number below)**

1. - engine 0,25kW 4P B14 – 3pcs.
2. - gear VF-44/F1-10 P63 B14 B3 – 3 pcs.
3. - electromagnetic valve E107 DB 12/M/30 B 1/2` 24V DC – coil type 301 24V DC -1 set.
4. - horizontal brush: 0367,00-03,001– 1 pc
5. - vertical brush: 0367,00-04,001 -2 pcs - = part 74501 4
6. - simmering 30\*47\*7 – 3 pcs.
7. - ball bearing 6005 ZZ – 3 pcs.
8. - bearing frame (lower): 0367,00-03,04,002 – 2 pcs.
9. - bearing frame (upper): 0367,00-03,04,001 – 2 pcs.
10. - eductor with nozzle Diversey , yellow (K1000+ nozzles set)
11. - contactor dilem-10-G 24v DC – 1pc
12. - power supply MDR-20-24– 1A – 1pc
13. - motor-protective circuit-breaker PKZMO-4,0- 1pc
14. - time relay PCS519 DUO - 1 piece.
15. - electrolytic capacitor 1000uF 50V - 1 piece



Konstruował	2016-01-19	Nazwa		Materiał	
Rysował	2016-01-19			Masa [kg]	
Sprawdził					
Zatwierdził		Data	Zast. rys. nr.	Zast. przez rys. nr.	
Podziałka		Nezwiśko	Nr rysunku		Arkusz
					<b>42</b>